



Brio® where ideas unfold

**Brio® Weatherfold ^{4S}
Window & Servery with 312 Screen**

Exterior folding window hardware systems for sashes up to 35kg

Brio® where ideas unfold

Watch your adventurous architectural ideas unfold into exciting reality with the Brio range of sliding and folding door hardware.

Brio's R&D department brings a strong design element to the business, developing and testing ground breaking concepts that continue to be at the forefront of the industry.

So it's no surprise our name Brio translates to Energy, Spirit and Vitality – the core values that drive us to always discover new solutions for our customers.





Weatherfold 4s Window & Servery Systems



Weatherfold 4s Servery 35

The Brio® Weatherfold 4s Servery 35 has been developed specifically to meet the requirements of servery type installations. As no sill or channel is required, the work surface is left completely unobstructed from one side to the other making this an ideal solution for kitchen serveries that open out to exterior dining areas.

Max Sash weight: 35kg
Max Sash height: 1800mm
Max Sash width: 650mm
Min Sash thickness: 35mm
Max number: 2 each way
Max opening: 2600mm
Hinge type: Mortice or non mortice options available

Materials

Hanger: Nickel Plated Alloy
Guides: 304SS
Bolts: 304SS
Hinges: 304SS
Finishes: Satin Stainless (SS)

Weatherfold 4s Window 35

Brio® Weatherfold 4s Window 35 is designed for exterior folding windows in residential or light commercial applications with up to six panels folding in one direction. Each window sash can be up to 1000mm wide and weigh 35kg, comfortably accommodating a span of 12 metres. This is made possible by the new recessed bottom guide system. The guide system not only provides stability for folding up to 12 window sashes, its concealed low profile design and excellent weatherproofing capabilities make it an ideal option for window sills.

Max Sash weight: 35kg
Max Sash height: 2600mm
Max Sash width: 1000mm
Min Sash thickness: 35mm
Max number: 6 each way
Max opening: 12000mm
Hinge type: Non mortice

Materials

Hanger: Nickel Plated Alloy
Guides: 304SS
Bolts: 304SS
Hinges: 304SS
Finishes: Satin Stainless (SS)



Weatherfold 4s Window & Served

Brio® Weatherfold 4s Window 35 and Brio® Weatherfold 4s Served 35 utilise the same technology as the Weatherfold 4s door systems, but on a smaller scale such as high-speed precision bearings, grooved-wheel hangers and set and forget height adjustment locking.

The compact structural aluminium 120A track profile serves to reduce the risk of contamination as debris is less likely to accumulate on the raised rails. The 120A track is available in 25 micron clear anodised aluminium for improved corrosion resistance.

Tested for durability, Brio® Weatherfold 4s Window & Served systems comfortably exceeded 100,000 cycles.

Application

The Weatherfold 4s Window 35's and Served 35's clean lines, smooth operation and flexible functionality, makes the systems suitable for many applications with a wide range of configurations. The Weatherfold 4s 35 family is most suited for applications that include kitchen serveries, living areas, bedrooms, cafes, hotels, bars and restaurants or where an architectural feature is desired.

Installation & adjustment

The system is conveniently supplied in kits which cover a wide range of configurations. Detailed, easy to follow instructions are provided as well as all fixing screws. Both Weatherfold Window 35 and Served 35 systems allow easy adjustment onsite for imperfect frame installations.

Weather Resistant

Brio® passivates all visual stainless steel surfaces and electro-polishes all cast stainless components. This removes contaminants and greatly reduces or eliminates surface rust often referred to as 'tea-staining'.

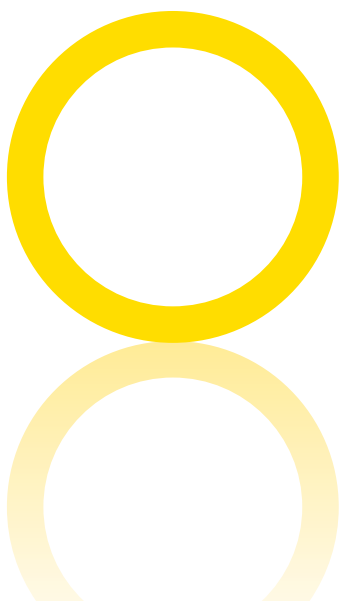
New 312 Automated Pleated Insect Screen

Unlock the full potential of screen motorisation with Brio's new 312 automated pleated insect screen. The powder coat black, aluminium frame and black pleated mesh, seamlessly integrates with Brio 4s Weatherfold 35 systems. The automated screen can span openings 2600mm wide and 1800mm high (min opening 800mm wide and 1000mm high).

No hard wiring is required when installing Brio's 312 automated pleated insect screen as the unit is completely battery operated which is recharged via mini USB port.

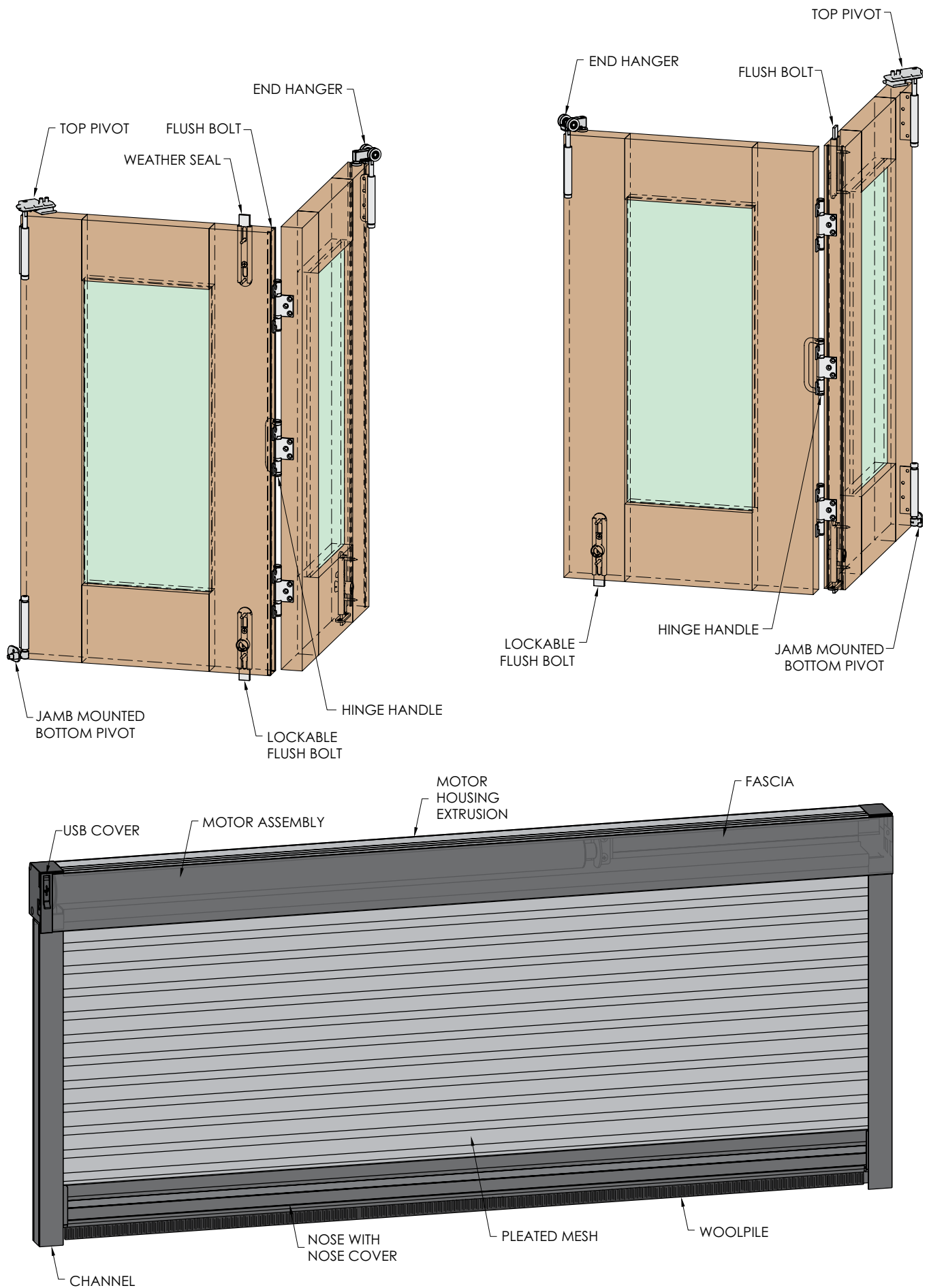
The wall mounted, magnetic dock allows easy storage of the remote control which can conveniently open up to 5 individual screens by a simple touch of a button. Motorisation makes operating Brio's 312 Automated Pleated Insect Screen easy, eliminating any chains or the need to lean over bench tops.

Advanced technology combined with strong engineering design allows a smooth ascent and improved functionality in Brio's 312 automated pleated insect screen, so you can now keep the bugs out and enjoy airflow and uninterrupted views.



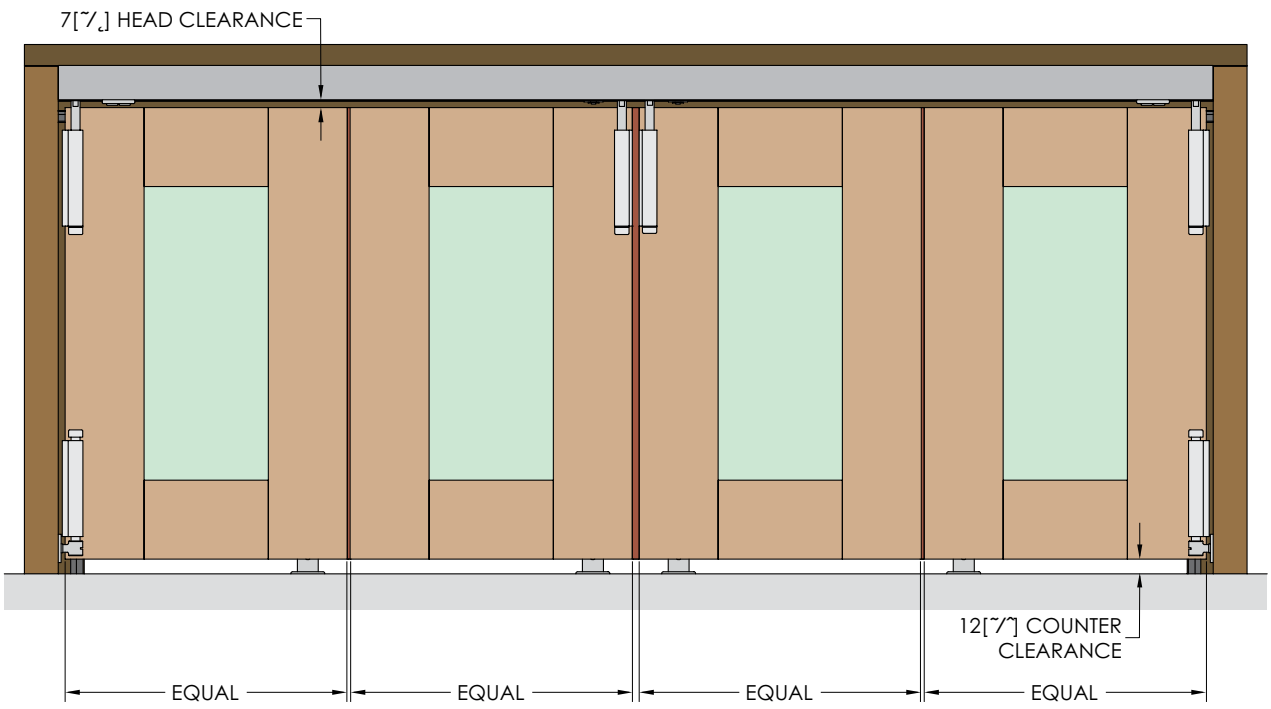
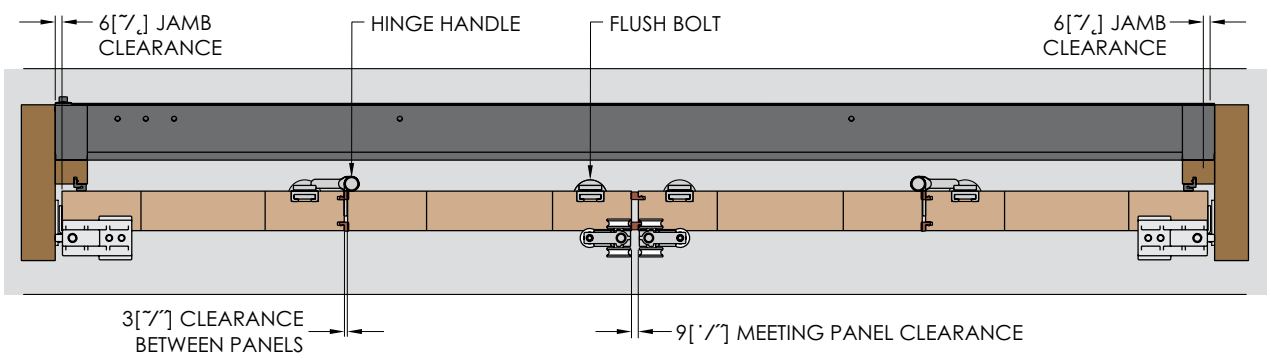
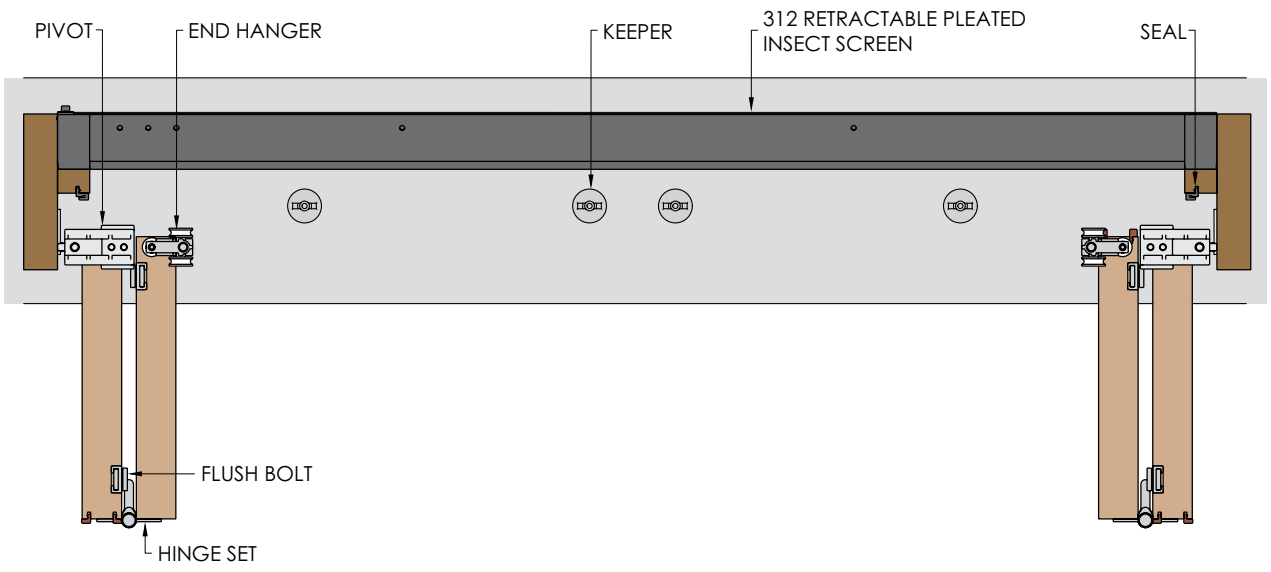
Weatherfold 4s Servery 35 and 312 Screen

Hardware Layout



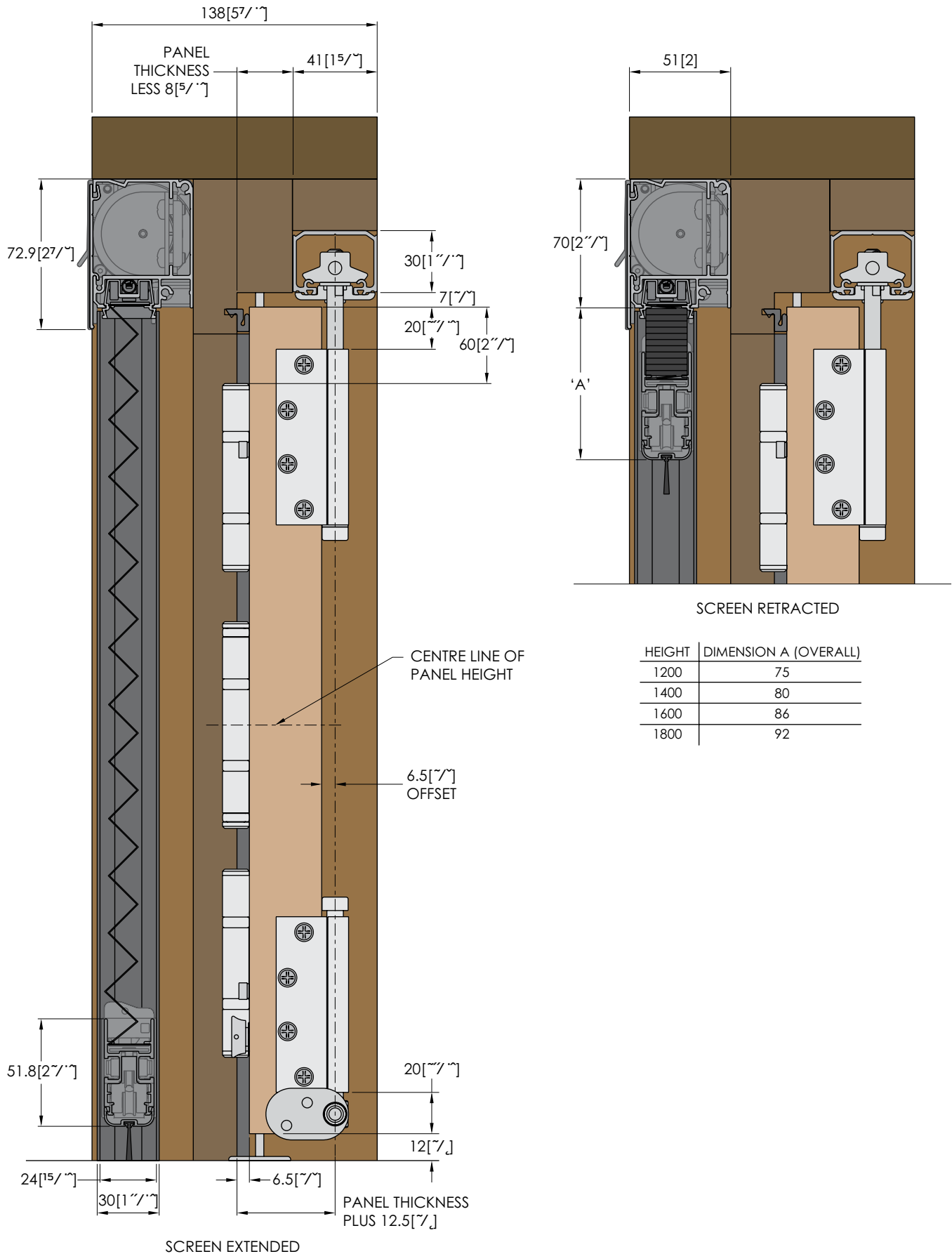
Weatherfold 4s Servery 35 and 312 Screen

Top and Front Views



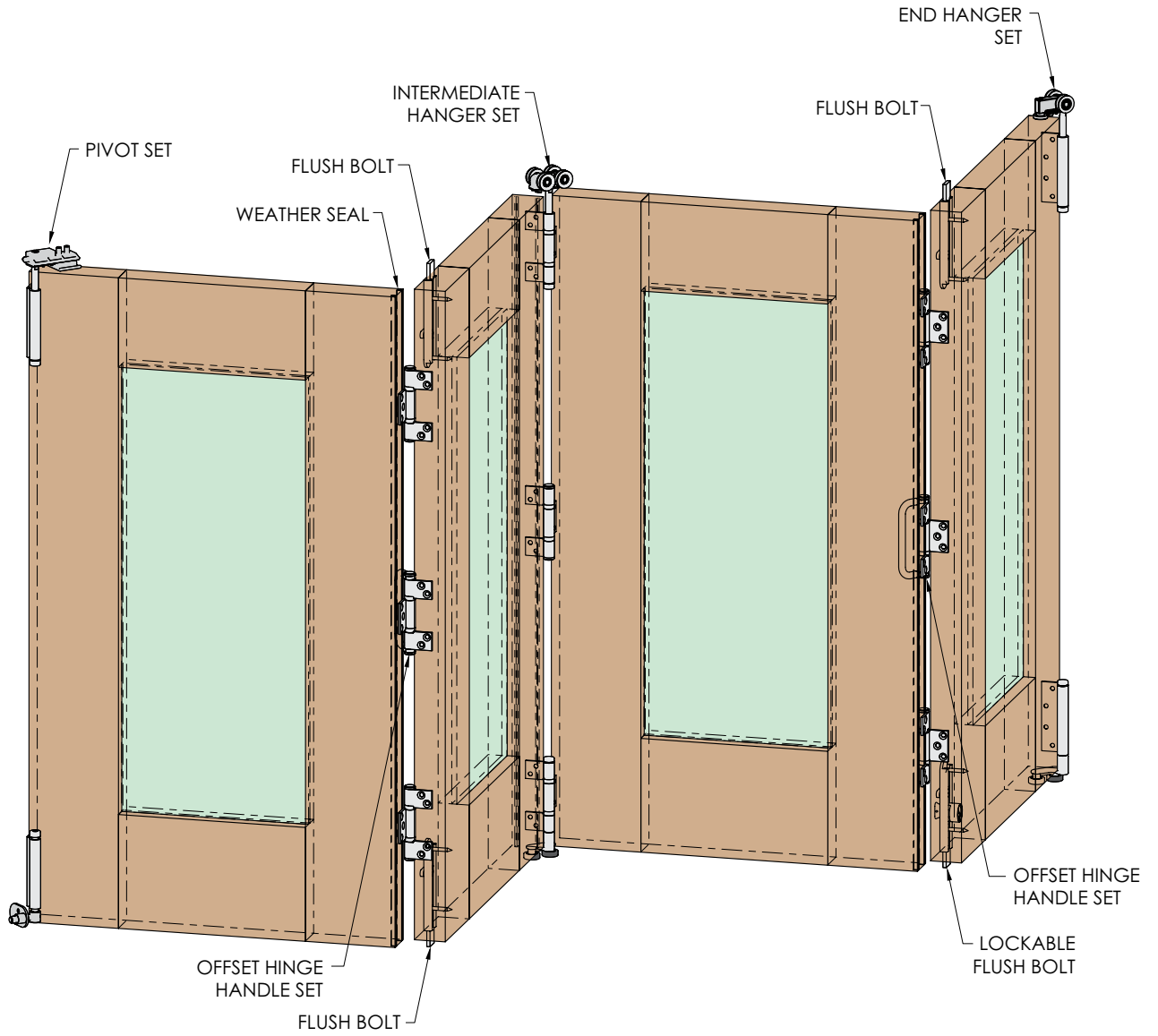
Weatherfold 4s Servery 35 and 312 Screen

End View



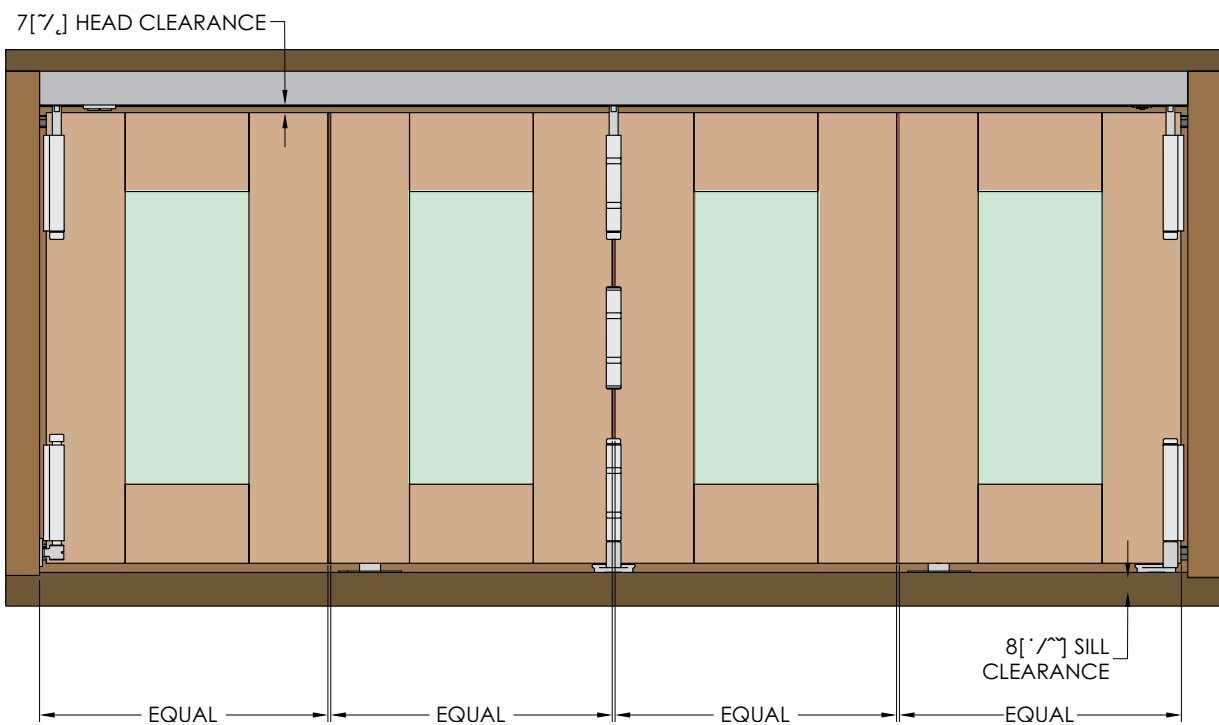
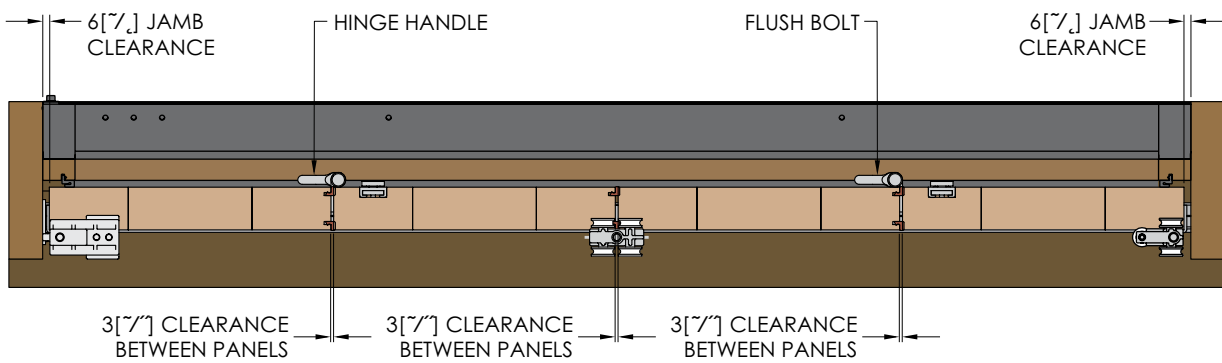
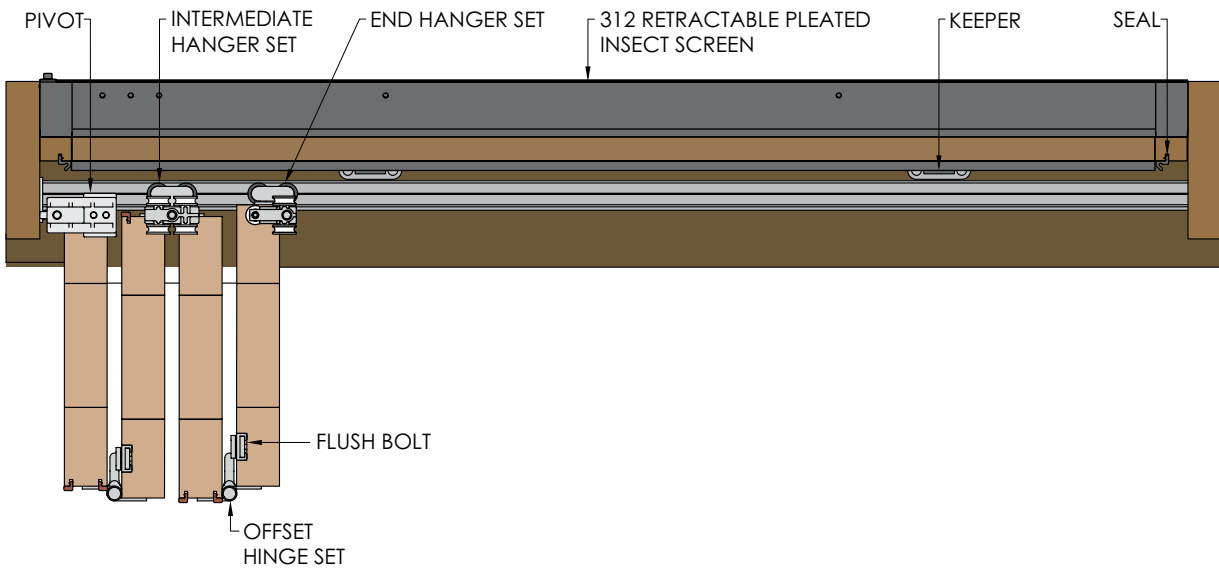
Weatherfold 4s Window 35

Hardware Layout



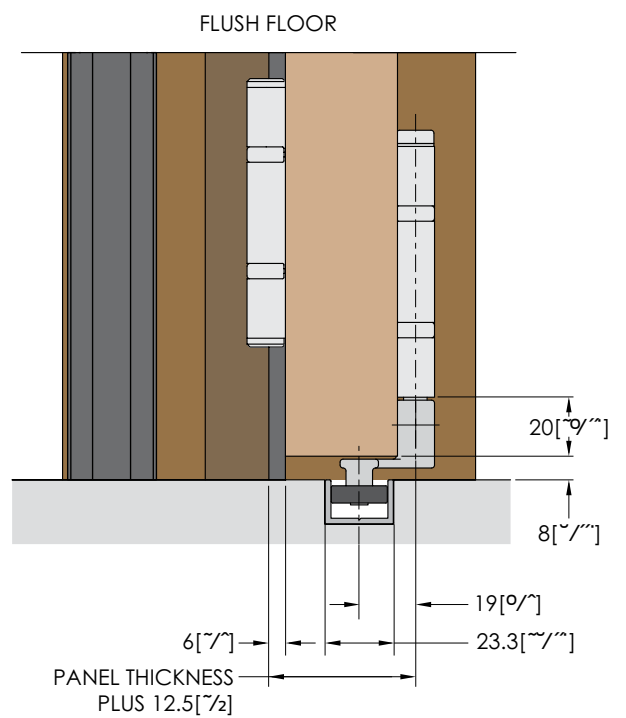
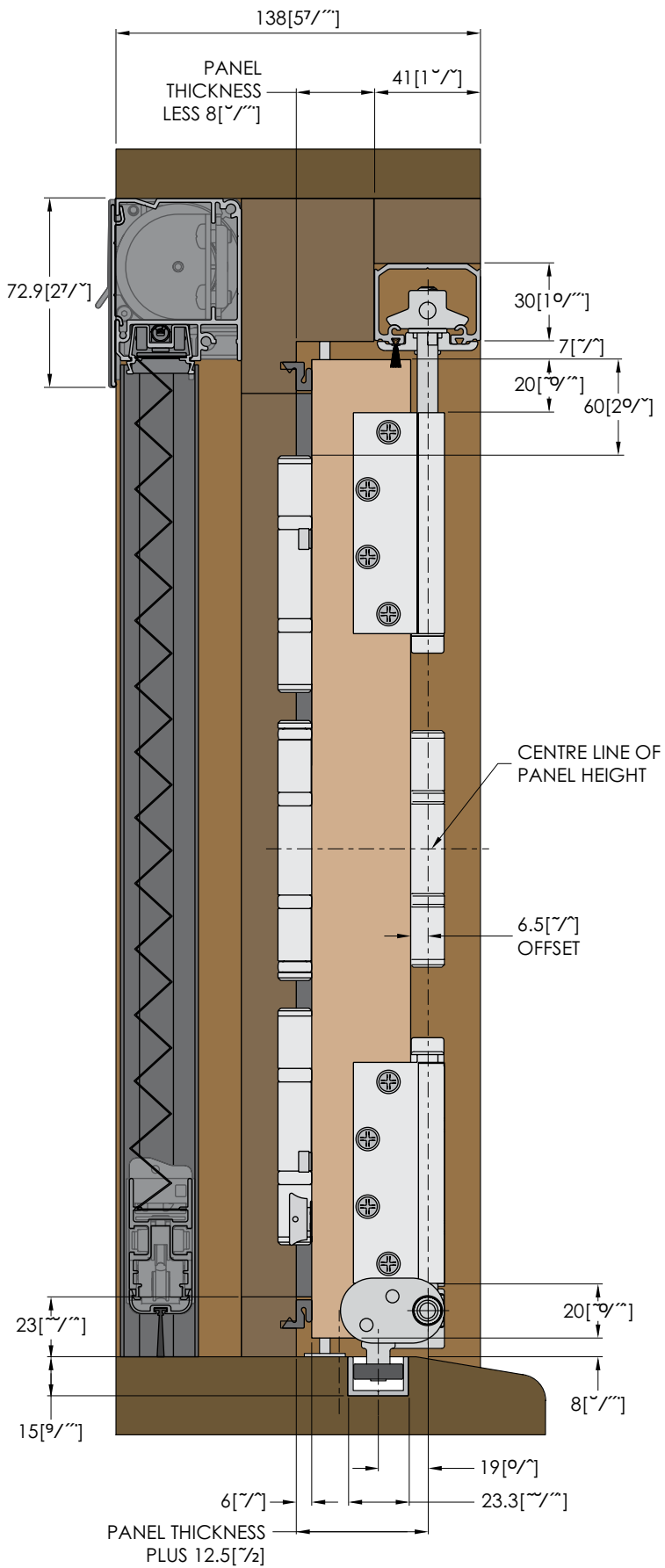
Weatherfold 4s Window 35 and 312 Screen

Top and Front Views



Weatherfold 4s Window 35 and 312 Screen

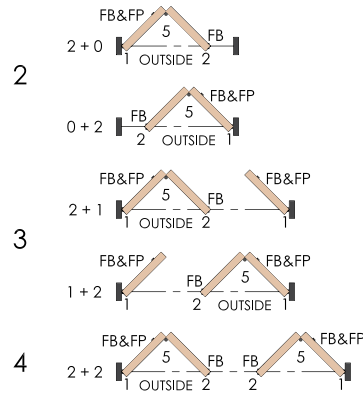
End View



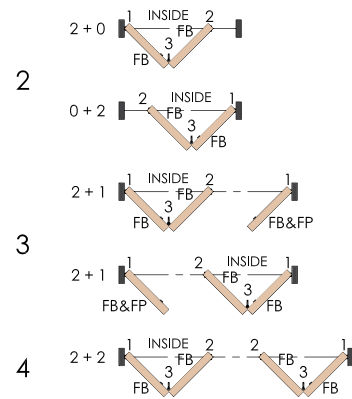
Sash Configuration and Hardware Location

Weatherfold 4s Servery 35

Inward Opening Windows

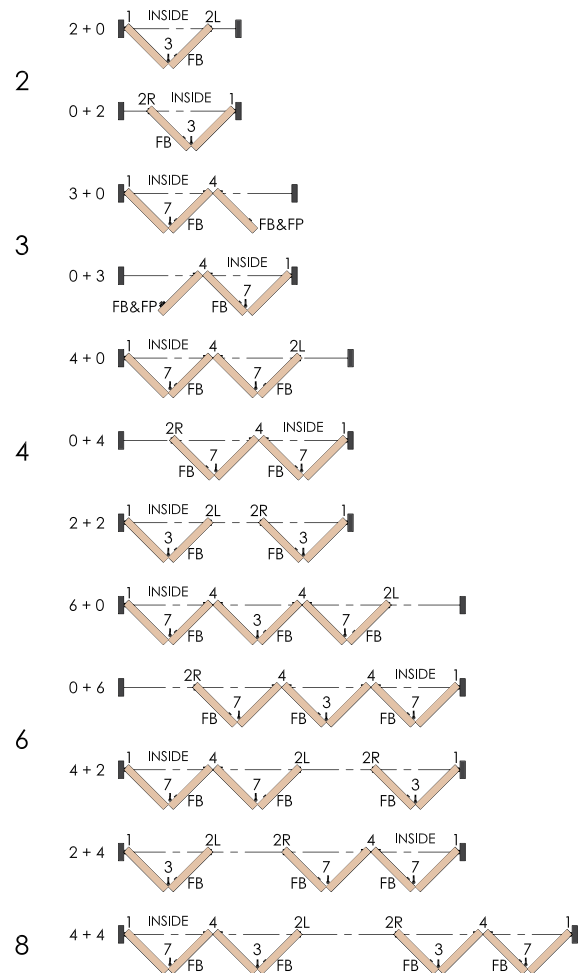


Outward Opening Windows



Weatherfold 4s Window 35

Outward Opening Windows



HARDWARE LEGEND		
SYMBOL	REF.	DESCRIPTION
	1	Adjustable pivot kit
	2	End hanger kit with guide
	3	Hinge kit with hinge handle
	4	Intermediate hanger kit with guide
	5	Hinge kit - Inward opening
	6	Offset hinge kit - Inward opening
	7	Offset hinge kit with hinge handle
	FB	Flush bolt - 360
	FP	Flush pull - 401
	FB & FP	Flush bolt and flush pull

The reference number is an abbreviation of the full kit number.

Specifications

	Window 35 (with guide system)	Servery 35 (without guide system)
Max sash weight	35kg	35kg
Max sash height	2600mm	1800mm
Max sash width	1000mm	650mm
Min sash thickness	35mm	35mm
Max number of sash	6 each way	2 each way
Max opening	12000mm	2600mm
Applications	Residential houses and apartments, Commercial – Café, restaurants, hotel, bars	Residential and commercial kitchen serveries
Aluminium track	120A (25µm clear anodised)	
Aluminium channel	96W (25µm clear anodised)	No channel required
Standard track & channel sizes	2000, 3000, 4000, & 6000mm	
Hangers & Pivots	Precision ground stainless steel bearing wheels with nylon tyres are standard. Hanger bodies and pivot are nickel plated alloy.	
Guides & Bolts	304 cast stainless steel (guides cast 304SS)	
Hinge type	Mortice and non mortice 2.5mm thick architectural grade stainless steel for durability with 2 bearings per hinge for smooth operation.	
Finishes	Satin Stainless (SS)	
Security flush bolts (outward opening)	Bottom Locking – 360E Top Non Locking – 360, 360L	
Security flush bolts (inward opening)		Bottom Locking – 360E Top Non Locking – 360N
Weatherseals	PS13B track seal, AQ21 frame seal, AQ48 window sash seal	
Accessories	Router 360	Router 360 & Keeper 360RKSS

312 Automated Pleated Screen				
Screen and frame widths	Screen and frame height			
	1000-1200 mm high	1200-1400 mm high	1400-1600 mm high	1600-1800 mm high
800-1000 mm wide	RSWA-12-10BK	RSWA-14-10BK	RSWA-16-10BK	RSWA-18-10BK
1000-1200 mm wide	RSWA-12-12BK	RSWA-14-12BK	RSWA-16-12BK	RSWA-18-10BK
1200-1400 mm wide	RSWA-12-14BK	RSWA-14-14BK	RSWA-16-14BK	RSWA-18-10BK
1400-1600 mm wide	RSWA-12-16BK	RSWA-14-16BK	RSWA-16-16BK	RSWA-18-10BK
1600-1800 mm wide	RSWA-12-18BK	RSWA-14-18BK	RSWA-16-18BK	RSWA-18-10BK
1800-2000 mm wide	RSWA-12-20BK	RSWA-14-20BK	RSWA-16-20BK	RSWA-18-10BK
2000-2200 mm wide	RSWA-12-22BK	RSWA-14-22BK	RSWA-16-22BK	RSWA-18-10BK
2200-2400 mm wide	RSWA-12-24BK	RSWA-14-24BK	RSWA-16-24BK	RSWA-18-10BK
2400-2600 mm wide	RSWA-12-26BK	RSWA-14-26BK	RSWA-16-26BK	RSWA-18-10BK

About Allegion™

Allegion (NYSE: ALLE) is a global pioneer in seamless access, with leading brands like CISA®, Interflex®, LCN®, Schlage®, SimonsVoss® and Von Duprin®. Focusing on security around the door and adjacent areas, Allegion secures people and assets with a range of solutions for homes, businesses, schools and institutions. For more, visit www.allegion.com.

For more, visit www.allegion.com.au or www.allegion.co.nz

Brio ■ <FSH> ■ *Gainsborough* ■ LEGGE ■ SCHLAGE

Allegion (Australia) Pty Ltd
Freephone 1800 098 094
Email info.au@allegion.com
www.allegion.com.au

Allegion (New Zealand) Limited
Freephone 0800 477 869
Email nzinfo@allegion.com
www.allegion.co.nz

999/BB_WINSER312
© 2022 Allegion

